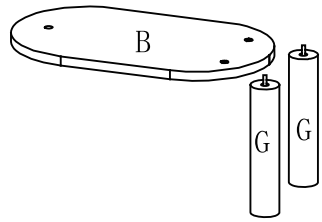
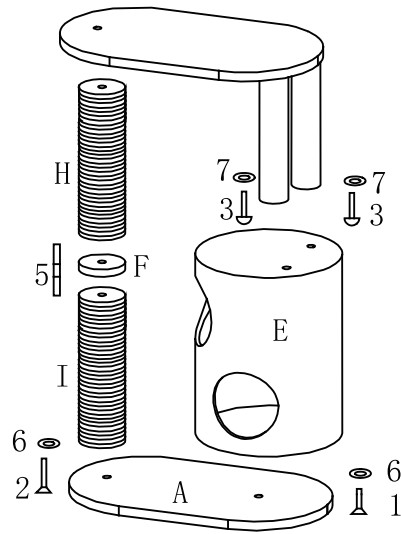


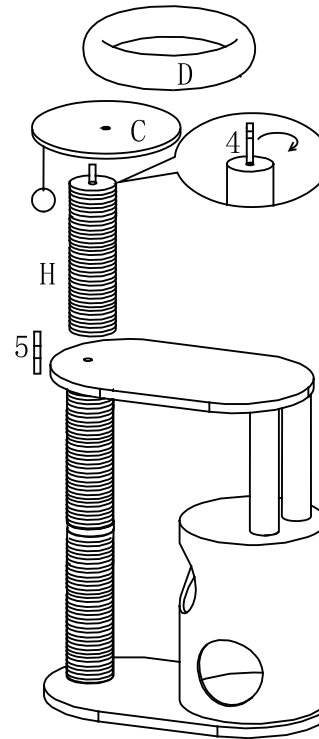
①



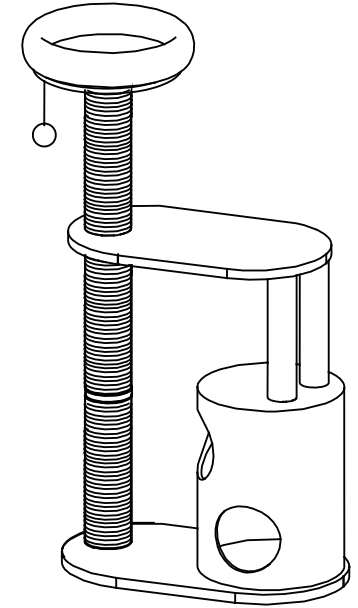
②



③



④

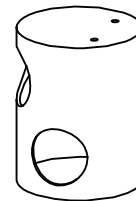


1X




A

1X



E

1X  D10\*35mm (1)

1X




B

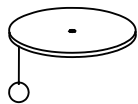
1X



F

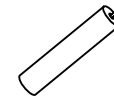
1X  D10\*50mm (2)

1X




C

2X



G

2X  D10\*45mm (3)

1X





D


2X




H

1X  D10\*60mm (4)

2X  D10\*70mm (5)

2X  D32mm (6)

2X  D40mm (7)

1X



I



LA111117

